



Manufactured & Marketed by:
SONAM CERAMICS



FUTURE
BATHWARE
TRENDS

MASTER COL. 19



Features



Each product Radiates
Glossiness and Whiteness.



Use of finest Raw materials -
Purified, tested and Certified by R&D.



Use of advanced German technology
With fully computerized Controlled shuttle kiln.



Use of eco - friendly Natural gas
residues for better shine and luster.



Production Process according
To ISI and ISO Standards.



High - tempered firing with
Hygiene-friendly Production process.



Water - saving flushing system
With 6/3 litre knobs.



Soft closing Seat cover.
is a plus advantage



Anti Bacterial
Glazed Product



Easy to clean
& maintain Seat cover



The Sanitaryware showcase

The Sanitary ware showcase of the Elite Collection presents the finest sanitary ware reserved exclusively for the elite crowd. These are closets, faucets, counter tops and basins that are adorned with class and sophistication and only those with taste would choose to splurge all over. The main ingredient of this collection is the richness of design that stands way above other contemporary offerings.



FUTURISTIC

C O L L E C T I O N



With an adapted flavour retained by a distinct voice of creativity, the Elite Collection brings avant garde sanitary ware to the fore. Each of the elements are inspired by subtlety and staggering depth. The gentle nature of the suave collection can leave a lasting impression to your own bathrooms.

RIMLESS DESIGN

TOILET BOWL WITHOUT AN EDGE

The rimless design is standard for all ELITE toilets. It means that the toilet bowls do not have any difficult-to-reach places in which dirt and bacteria can accumulate. This makes it possible to clean the toilet far more quickly, easily and thoroughly. SONCERA has produced rimless toilet bowls since 2002, and has already sold over eight million of them around the world.



TRADITIONAL DESIGN



SONCERA'S DESIGN



MORE HYGIENIC



MORE ECOLOGICAL

THIN EDGE

Attractive THIN EDGE basin, it features elegant, fine edges that is only 5 mm in thickness. The outstanding elegance is made possible by the innovative material used by Soncera.



LIGHT WEIGHT



PERFECT SHAPING



EASY TO CLEAN



Quick-release toilet seat allows a total cleaning.



More Silent



Soft Close





soncera
TILES

soncera 
TILES | BATHWARE
Get inspired

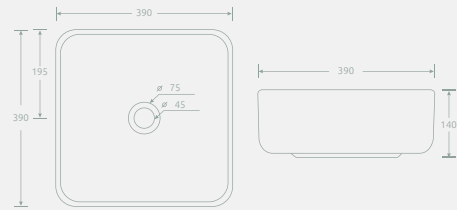
MASTER COL. 19

Radiate *with its Slender Beauty*

Product : SOFI

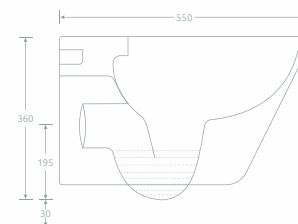
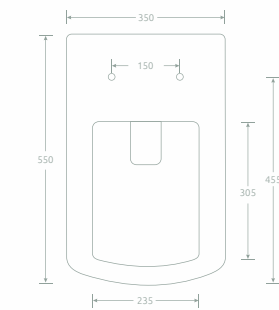
SOFI

Table Top
390 x 390 x 140mm



AVIVA

Wall-hung
550 x 350 x 360mm



MASTER COL. 19

Diverse
Diligent
Practicality

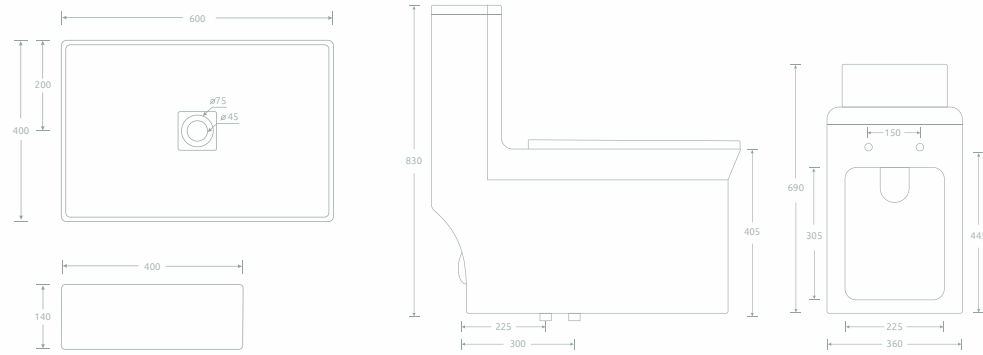
soncera 
TILES | BATHWARE
Get inspired

Product : GEO



GEO

Table Top
600 x 400 x 140mm



LOUIS



Siphonic One Piece
690 x 360 x 830mm
"S" Trap Distance 300mm



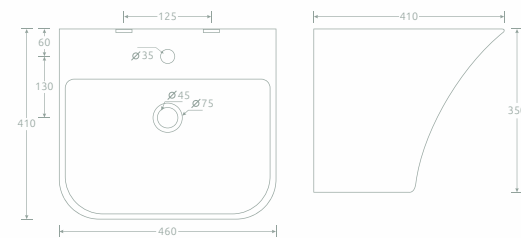
Beauty
is not
Enough

MASTER COL. 19



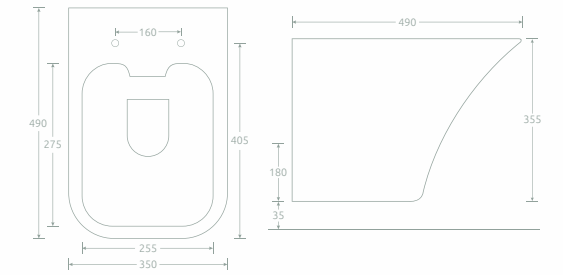
Product : SELGE

soncera 
TILES | BATHWARE
Get inspired



SELGE

Wall-Hung Basin
460 x 410 x 350mm



SELGE



Rimless Wall-Hung
490 x 350 x 355mm

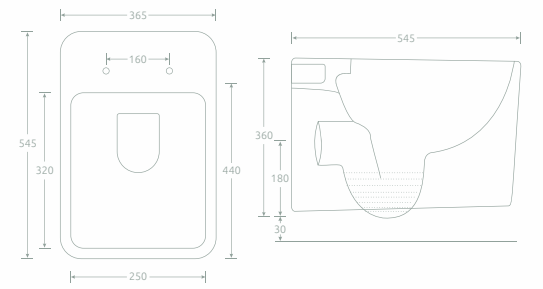
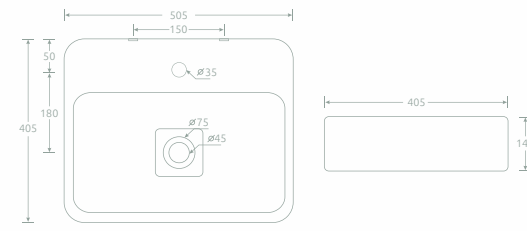


Glitz
Glamour
Undefined

MASTER COL. 19

Product : MILANO





MILANO

Table Top / Wall-hung
505 x 405 x 140mm

MILANO

Rimless Wall-hung
545 x 365 x 360mm



Combined for Glory





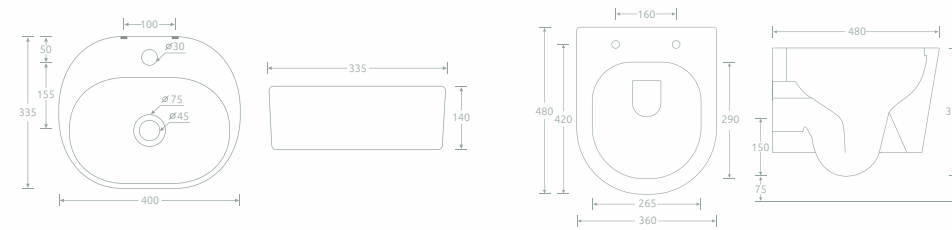
MINI

Wall-hung
480 x 360 x 330mm



MINI

Table Top / Wall-hung
400 x 335 x 140mm





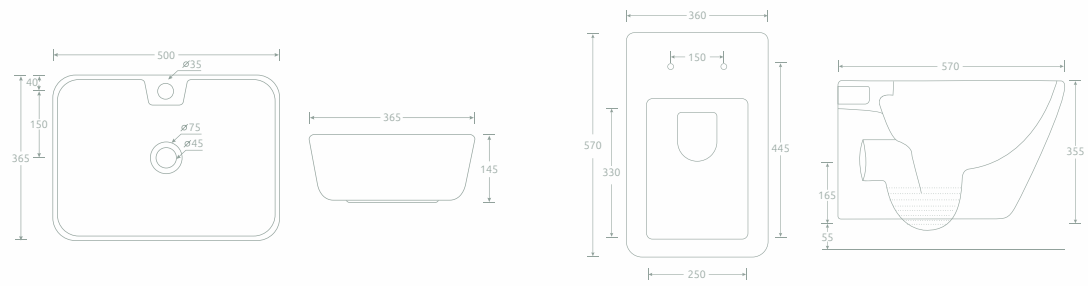
Product : PANDORA

Refined
Redefined
Style

MASTER COL. 19



Product : SOFIA



SOFIA With Tap Hole

Table Top
500 x 365 x 145mm



PANDORA

Rimless Wall-hung
570 x 360 x 355mm





Product : RIVERSTOE

MASTER COL. 19

Intriguing
Inventive
Design



Product : RIVERSTOE

RIVERSTOE

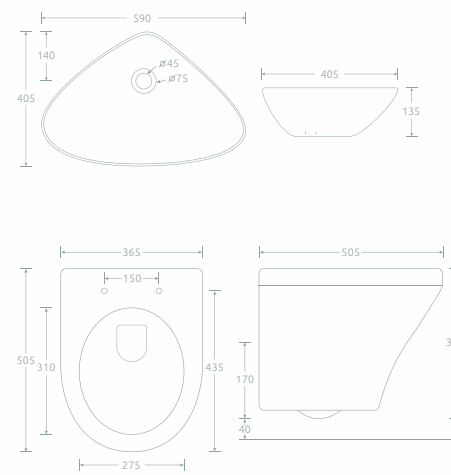
Table Top
590 x 405 x 135mm



RIVERSTOE



Wall-hung
505 x 365 x 360mm



Sensational
Smart Offerings



Product : SANITEE



Product : SANITEE

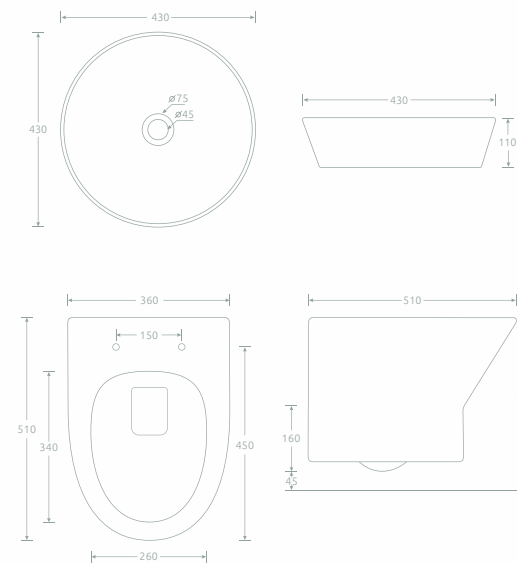
SANITEE

Rimless Wall-hung
510 x 360 x 360mm



SANITEE

Table Top
430 x 430 x 110mm





Product : SANCTUM

Balanced
Brilliant
Setting

MASTER COL. 19

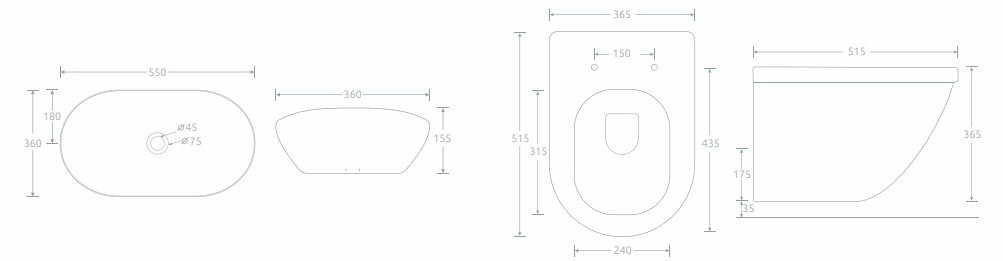


Product : SANCTUM



SANCTUM

Table Top
510 x 360 x 155mm



SANCTUM

Wall-hung
515 x 365 x 365mm



Organized
Oval
Ecstasy



Product : LUV

MASTER COL. 19

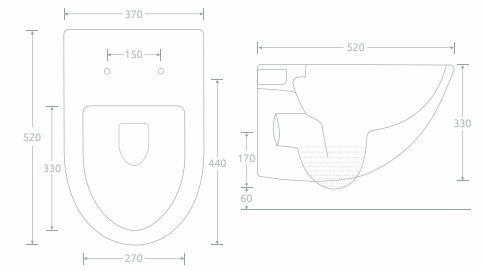
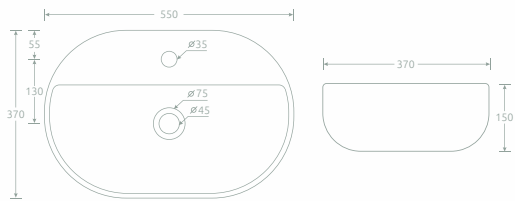


Product : SANTEC

soncera 
TILES | BATHWARE
Get inspired

LUV

Table Top
550 x 370 x 150mm



SANTEC

Rimless Wall-hung
520 x 370 x 330mm



Impeccable
Intrinsic
Charm

soncera 
TILES | BATHWARE
Get inspired

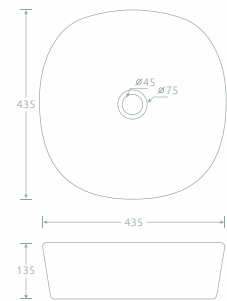
MASTER COL. 19



Product : STILO

STILO

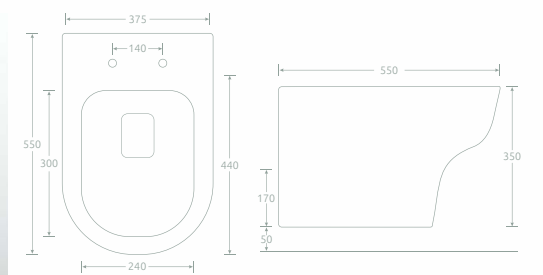
Table Top
435 x 435 x 135mm



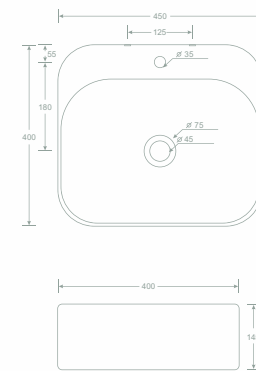
STILO



Wall-hung
550 x 375 x 350mm



Majestic Mesmerizing Grandeur



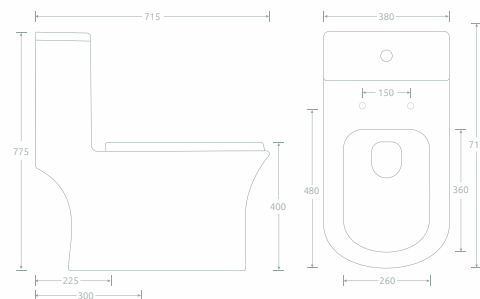
TULI

Table Top / Wall-hung
450 x 400 x 145mm



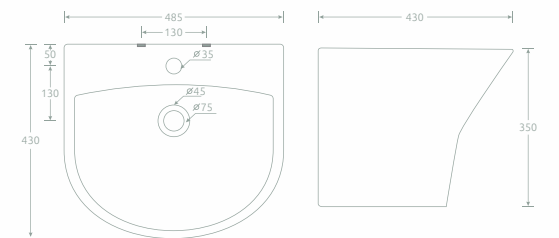
LEIRE

Wall-hung Basin
485 x 430 x 350mm



OPAL

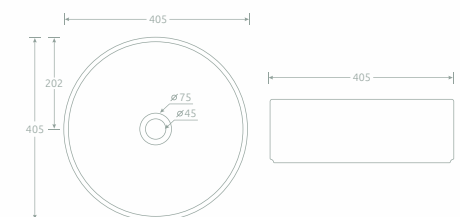
Rimless with Siphonic One Piece
715 x 380 x 775mm
"S" Trap Wall Distance 225mm & 300mm



Luxury
Leveraged
Evenly



- 01 Glossy White / Ivory
- 02 Glossy Black
- 03 Matt Beige
- 04 Matt Black



MASTER COL. 19

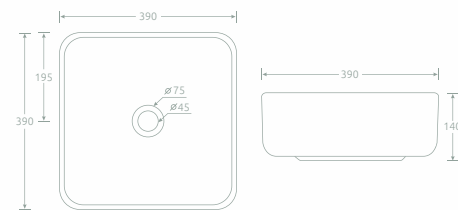
soncera 
TILES | BATHWARE
Get inspired

SLIK

Table Top
405 x 405 x 140mm



- 01 Glossy White / Ivory
- 02 Matt Beige
- 03 Two Tone Glossy
- 04 Matt Black

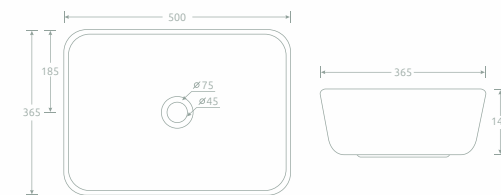


SOFI

Table Top
390 x 390 x 140mm



- 01 Glossy White / Ivory
- 02 Matt Beige
- 03 Two Tone Glossy
- 04 Matt Black



SOFIA

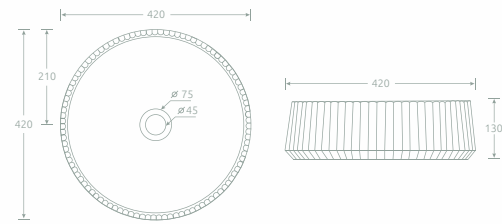
Table Top
500 x 365 x 145mm

ROMA

Table Top Bowl
420 x 420 x 130mm



Two Tone Glossy

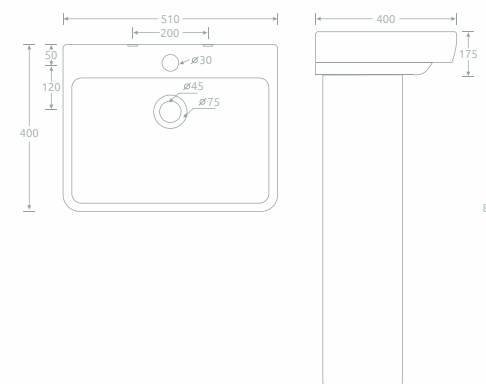
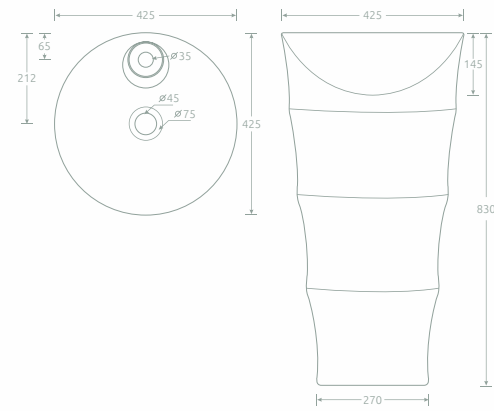


Glossy White / Ivory

Creating
A Higher
Standard

GLOBO

Free Stand Wash Basin
425 x 425 x 830mm



NILE PLUS

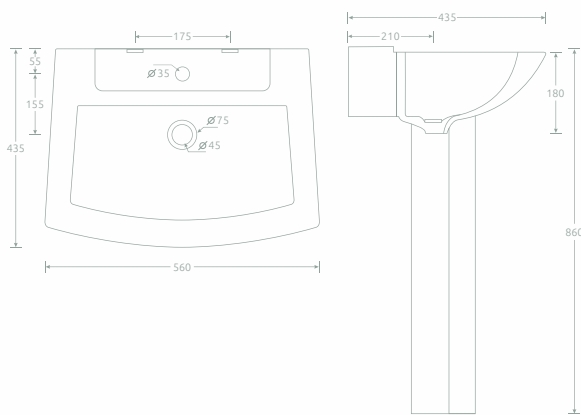
Full Pedestal Basin
505 x 400 x 860mm



STREET

Wall-hung
560 x 435 x 180mm

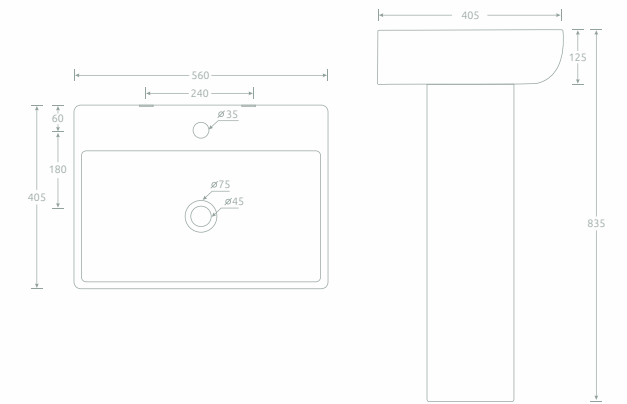
Full Pedestal Basin
560 x 435 x 860mm



DOYLE

Table Top / Wall-hung
560 x 405 x 125mm

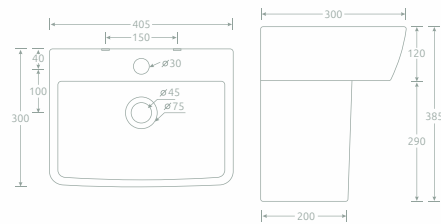
Full Pedestal Basin
560 x 405 x 835mm



NEVILLE

Table Top / Wall-hung
405 x 300 x 120mm

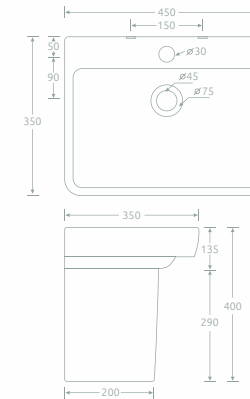
Half Pedestal Basin
405 x 300 x 385mm



NILE

Wall-hung
450 x 350 x 135mm

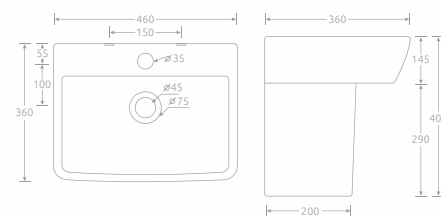
Half Pedestal Basin
450 x 350 x 400mm



KYLIS

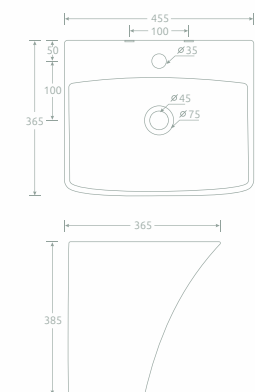
Table Top / Wall-hung
460 x 360 x 145mm

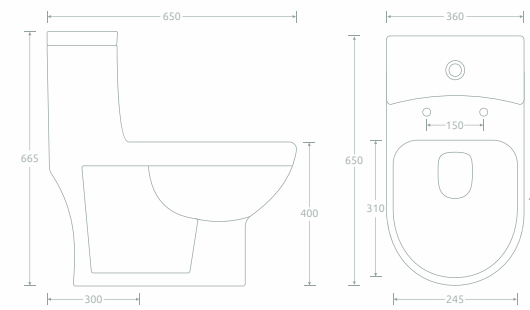
Half Pedestal Basin
460 x 360 x 400mm



TREND

Wall-hung
455 x 365 x 385mm





MID

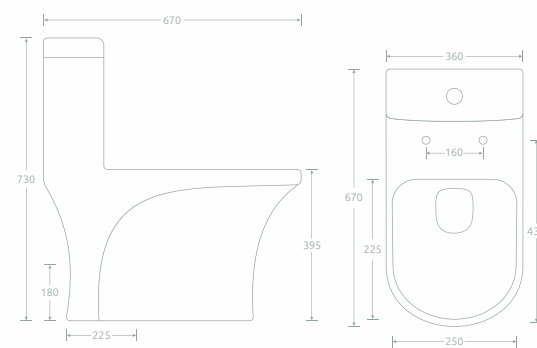


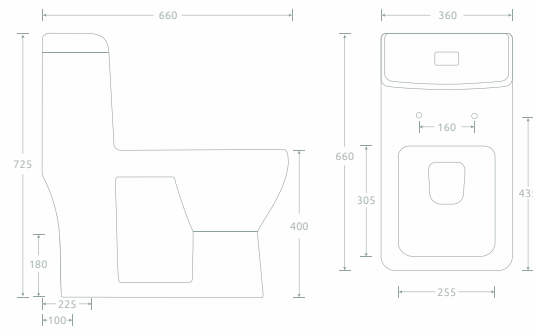
Siphonic One Piece
 650 x 360 x 665mm
 "S" Trap Wall Distance 300mm

SPACE



One Piece
 670 x 360 x 730mm
 "S" Trap Wall Distance 225mm
 "P" Trap Wall Distance 180mm

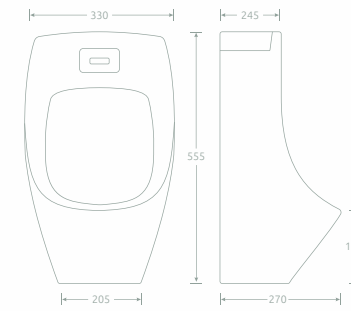




ALEX



One Piece
660 x 360 x 725mm
"S" Trap Wall Distance 100mm&225mm
"P" Trap Wall Distance 180mm



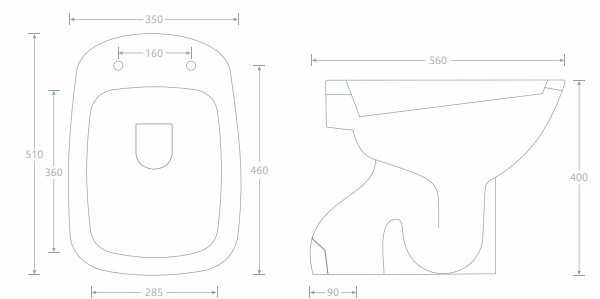
KYLIS

Urinal
270 x 330 x 555mm



FLUID

Floor Mounted EWC
560 x 350 x 400mm



MASTER COL. 19

Diverse
Diligent
Practicality

Product : FOR SQUARE



CLEAN, CLEAR AND CONCISE,



THAT'S WHAT IS DELIVERED!



MINI FORSQUARE

FORSQUARE

Basin With Pedestal
620 x 440 x 835mm

Concealed Wall-Hung
600 x 370 x 350mm

Mini Concealed Wall-Hung
510 x 370 x 350mm



Basin with Pedestal
560 x 445 x 845mm

Concealed Wall-hung
560 x 360 x 355mm

Basin with Half Pedestal
560 x 445 x 520mm

"THE PRISTINE
FEEL OF ELEGANCE
SEEMS TRANQUIL TO THOSE
WHO EXPERIENCE IT!"



REVO



"SOBRIETY IN DESIGN ADDS IDENTITY TO CLASS"

BEETLE

BEETLE

One Piece Closet
655 x 350 x 740mm

Wall Mounted Couple Closet
660 x 350 x 760mm

Concealed Wall-hung
535 x 345 x 360mm

Basin Tabletop
600 x 400 x 105mm





LUMINA

Basin Tabletop / Wall Mounted
410 x 410 x 130mm

Concealed Wall-hung
490 x 355 x 345mm



LUMINA

Basin Wall Mounted
550 x 480 x 145mm

Wall Mounted Couple Closet
645 x 355 x 745mm

Basin with Half Pedestal
550 x 480 x 490mm

Basin with Pedestal
580 x 480 x 830mm



"ETERNAL LIFE IS BLESSED TO THOSE WHO
PONDER ON INTRICATE EXQUISITENESS"





Basin Tabletop
600 x 360 x 100mm

Concealed Wall-hung
540 x 360 x 350mm



VERO

"BLENDING ART WITH SUBLIMITY
AND STYLE IS LIFE AT ITS FINEST!"



AMAZONE



Mini Amazone
Concealed Wall-hung
505 x 360 x 365mm



Origio
Basin Tabletop
460 x 460 x 150mm



Amazone
Concealed Wall-hung
545 x 360 x 370mm





Floor Mounted Couple Closet
"P" & "S" Trap
710 x 350 x 795mm

ITALIA



"A CALM ATMOSPHERE WITH AN UNTAINTED
CORE CAN PLAY THE LILTING TUNES OF LIFE!"

Basin with Pedestal
585 x 465 x 935mm



Floor Mounted Couple Closet "S" Trap
685 x 365 x 810mm



Wall Mounted Couple Closet
670 x 370 x 755mm



PREMIUM

JAZZ

"EVIDENTLY, CONFIDENCE IS NATURAL WHEN
A SPIRIT IS SURE OF ITS OWN SANCTITY!"



Basin with Pedestal
590 x 470 x 880mm



EPIC

Basin with Pedestal
570 x 450 x 850mm

SINTRA



Basin with Pedestal
555 x 450 x 950mm

LORALE

Basin with Pedestal
560 x 450 x 860mm

Basin with Half Pedestal
560 x 450 x 440mm



CONCORD

Basin with Pedestal
600 x 480 x 860mm



OLIVER

Basin with Pedestal
555 x 415 x 840mm



CRYSTAL

Basin with Pedestal
500 x 410 x 830mm



EUROPA



Basin with Pedestal
560 x 430 x 865mm

STRAPI



Basin with Pedestal
560 x 440 x 880mm

FLORAL



Basin with Pedestal
510 x 420 x 880mm

KUBIX

Concealed Wall Mounted Basin
485 x 430 x 385mm





GOLDY

Basin Platform
770 x 520 x 225mm

"THE PLETHORA OF PLATFORM BASINS BRING HARMONY
IN SOPHISTICATION WITH ITS GRAND ATTITUDE"

SLEEK

Basin Platform
590 x 410 x 150mm



ESPACE

Basin Platform
770 x 435 x 170mm



Basin Counter Top
555 x 400 x 160mm

PLAZMA

TOPAZ

Basin Tabletop / Wall Mounted
475 x 370 x 130mm



CUBOID

Basin Wall Mounted / Tabletop
460 x 400 x 145mm

FERN



Basin Tabletop
600 x 380 x 185mm

"MARVELLOUSNESS NEVER EXPRESSES ITSELF IN SPADES, IT STARTS WITH THE NITTY-GRITTY OF THINGS"



ORBIS

Basin Tabletop
420 x 320 x 100mm

CRUSIAL



Basin Tabletop
420 x 320 x 100mm

"THE WORLD CAN EMBRACE ELEGANCE WITH SUPREME SATISFACTION"



QUADRA

Basin Tabletop
410 x 360 x 120mm

CUBE



Basin Wall Mounted / Tabletop
410 x 330 x 130mm



CLAIR

Basin Tabletop / Wall Mounted
450 x 300 x 105mm



SAFRY

Basin Tabletop / Wall Mounted
450 x 300 x 130mm



ORIGIO

Basin Tabletop
460 x 460 x 150mm

EXANZA

Basin Tabletop with Stand
505 x 370 x 180mm



ORIO

Basin Under Counter
665 x 360 x 105mm

"INNOVATION MAKES SURE THAT A VISION
IS REALIZED AND DREAMS COME TRUE"



OPTRA

Basin Under Counter
560 x 385 x 215mm



RADIUS

Basin Under Counter
510 x 405 x 200mm

SAFFRONY

Basin Counter Top
595 x 420 x 215mm



NIGEL

Basin Wall Mounted
400 x 310 x 140mm



SHARP

Basin Wall Mounted
450 x 330 x 180mm



NORRIS

Basin Wall Mounted
440 x 340 x 185mm



OVALIA



Basin Wall Mounted
505 x 425 x 160mm

CLASS

Basin Wall Mounted
450 x 300 x 190mm





NOEL

Basin Wall Mounted
375 x 265 x 160mm



GRAMY

Basin Wall Mounted
415 x 415 x 205mm



MINT

Basin Wall Mounted
460 x 230 x 165mm



PRISTY

Basin Wall Mounted
495 x 285 x 120mm



TRENZ

Basin Wall Mounted
350 x 350 x 140mm



SPLASH

Basin Wall Mounted
510 x 300 x 165mm



TERRA



One Piece Closet
660 x 360 x 760mm
"S" Trap Distance 225mm

PALESTINE



One Piece Closet
670 x 360 x 750mm
"S" Trap Distance 225mm
"P" Trap Distance 180mm



VICTORIA



One Piece Closet
685 x 365 x 675mm
"S" Trap Distance 225mm & 290mm
"P" Trap Distance 180mm

NEON



Siphonic One Piece Closet
675 x 355 x 730mm
"S" Trap Distance 225mm & 300mm

LIBIA



One Piece Closet
715 x 385 x 760mm
"S" Trap Distance 225mm
"P" Trap Distance 180mm



SPANIA



One Piece Closet
715 x 370 x 660mm
"S" Trap Distance 225mm & 300mm



NATALIA



Rimless with Siphonic One Piece Closet
675 x 390 x 790mm
"S" Trap Distance 225mm & 300mm

EVA



One Piece Closet
715 x 405 x 685mm
"S" Trap Distance 225mm
"P" Trap Distance 180mm

CLAIR



One Piece Closet
700 x 350 x 690mm
"S" Trap Distance 100mm & 225mm
"P" Trap Distance 180mm

BEETLE



One Piece Closet
655 x 350 x 740mm
"S" Trap Distance 100mm & 225mm
"P" Trap Distance 180mm





"THIS BRILLIANT COMBINATION CLEARS UP SPACE SO THAT YOU REVEL IN LUXURY"

FOURSQUARE



Concealed Wall-hung
600 x 370 x 350mm

MINI FOURSQUARE



Concealed Wall-hung
510 x 370 x 350mm

BEEBLE



Concealed Wall-hung
535 x 345 x 360mm

MINI BEEBLE



Concealed Wall-hung
500 x 350 x 360mm

MERIDIAN



Concealed Wall-hung
545 x 360 x 350mm

REVO



Concealed Wall-hung
560 x 360 x 355mm

LUMINA



Concealed Wall-hung
490 x 355 x 345mm

VERO



Concealed Wall-hung
540 x 360 x 350mm



CANDIDA



Concealed Wall-hung
560 x 365 x 400mm

ENIGMA



Concealed Wall-hung
520 x 375 x 385mm

ITALIA



Floor Mounted Couple Closet "P" & "S" Trap
710 x 350 x 795mm

PREMIUM



Floor Mounted Couple Closet "S" Trap
685 x 365 x 815mm

MINI AMAZONE



Concealed Wall-hung
505 x 360 x 365mm

AMAZONE



Concealed Wall-hung
545 x 360 x 370mm



CT PAN



Pan 20"
510 x 410 x 150mm

SIMI



Concealed Wall-hung
470 x 355 x 330mm

PRIMA



Concealed Wall-hung
540 x 380 x 385mm

COMFORT 23"



Pan 23"
580 x 440 x 300mm

COMFORT 20"



Pan 20"
510 x 410 x 235mm

LUMINA



Wall Mounted Couple Closet
645 x 355 x 745mm

BEETLE



Wall Mounted Couple Closet
660 x 350 x 760mm

PREMIUM



Wall Mounted Couple Closet
670 x 370 x 755mm

OZONE



Concealed EWC "S" Trap
570 x 365 x 405mm

BEETLE



Rimless Concealed EWC "P" & "S" Trap
545 x 355 x 400mm

EUROPIE



EWC "P" & "S" Trap
510 x 350 x 400mm

ANGLO



EWC "P" & "S" Trap
560 x 445 x 395mm

PREMIUM



EWC "S" Trap
560 x 355 x 410mm

PLASTIC CISTERN



Plastic Cistern
325 x 135 x 440mm

SINGLE FLUSH



Cistern Single Flush
325 x 135 x 440mm

DUAL FLUSH



Cistern Dual Flush
325 x 135 x 440mm

Concealed Cistern
460 x 95 x 510mm



CONCEALED CISTERN

Concealed Cistern
460 x 95 x 510mm



CONCEALED CISTERN

EVAN



Urinal
300 x 325 x 645mm



ELIAS



Urinal
300 x 345 x 700mm

ALFA



Urinal
370 x 390 x 590mm

COMFORT



Urinal
280 x 305 x 390mm

SINDY



Urinal
350 x 390 x 600mm

TECHNICAL
DRAWINGS

Foursquare basin with pedestal pg. 77

installation
basin: standard 9" or 12" brackets and G.I. rag bolt, also use as wallhung basin or half tabletop.
pedestal: screwed to floor.
tap: 1 tap hole.

Foursquare concealed wallhung pg. 77

'P' trap available.
installation
ewc: fitting with cast iron chair brackets and G.I. rag bolt. matching polypropylene Hydraulic seat cover.

Lumina basin with pedestal pg. 82

installation
basin: standard 9" brackets and G.I. rag bolt or also use as table top.
pedestal: screwed to floor.
tap: 1 tap hole.

Lumina table top pg. 83

installation
basin: fixed to wall with standard 6" brackets and G.I. rag bolt or also use as table top.
tap: 1 tap hole.

Lumina concealed wallhung pg. 83

'P' trap available.
installation
ewc: fitting with cast iron chair brackets and G.I. rag bolt.
matching polypropylene seat cover.

Revo basin with pedestal pg. 78

installation
basin: standard 6" or 9" brackets and G.I. rag bolt.
pedestal: screwed to floor.
tap: 1 tap hole.

Revo basin with half pedestal pg. 78

installation
basin: standard 6" or 9" brackets and G.I. rag bolt.
pedestal: screwed to wall.
tap: 1 tap hole.

Revo concealed wallhung pg. 78

'P' trap available.
installation
ewc: fitting with cast iron chair brackets and G.I. rag bolt.
matching polypropylene seat cover.

Vero basin tabletop pg. 84

installation
basin: table top.
tap: no tap hole.

Vero concealed wallhung pg. 84

'P' trap available.
installation ewc:
fitting with cast iron chair brackets and G.I. rag bolt. matching polypropylene Hydraulic seat cover.

Mini Amazone concealed wallhung pg. 85

'P' trap available.
installation
ewc: fitting with cast iron chair brackets and G.I. rag bolt. matching polypropylene Hydraulic seat cover.

Beetle one piece closet pg. 81

'S' or 'P' trap available.
installation
cistern: dual flush (6/3 lit.)
ewc: screwed to floor.
'S' trap dist. 9" or 4" from wall. 'P' trap dist. 7.5" from floor matching polypropylene Hydraulic seat cover.

Beetle floor mounted couple closet pg. 81

'P' trap available.
installation
cistern: dual flush (6/3 lit.)
ewc: fitting with cast iron chair brackets and G.I. rag bolt. matching polypropylene Hydraulic seat cover.

Beetle concealed wallhung pg. 81

'P' trap available.
installation
ewc: fitting with cast iron chair brackets and G.I. rag bolt. matching polypropylene Hydraulic seat cover.

Amazone concealed wallhung pg. 85

'P' trap available.
installation
ewc: fitting with cast iron chair brackets and G.I. rag bolt. matching polypropylene Hydraulic seat cover.

Origio table top pg. 85

installation
basin: table top.
tap: 1 tap hole.

Italia floor mounted couple closet pg. 86

'P' or 'S' (with conversion bend) trap available.
installation
cistern: dual flush (6/3 ltr.)
ewc: screwed to floor.
'P' trap dist. 8" from floor
'S' trap dist 4" to 9" from wall.
matching polypropylene Hydraulic seat cover.

Beetle basin tabletop pg. 81

installation
basin: table top.
tap: 1 tap hole.

Lumina basin with half pedestal pg. 82

installation
basin: standard 9" brackets and G.I. rag bolt or also use as table top.
pedestal: screwed to wall.
tap: 1 tap hole.

Lumina wall mounted couple closet pg. 82

'P' trap available.
installation
cistern: dual flushing (6/3 lit.)
ewc: fitting with cast iron chair brackets and G.I. rag bolt.
matching polypropylene Hydraulic seat cover.

Premium basin with pedestal pg. 87

installation
basin: standard 6" or 9" brackets and G.I. rag bolt.
pedestal: screwed to floor.
tap: 1 tap hole.

Premium floor mounted couple closet pg. 87

'S' trap available.
installation
cistern: dual flush (6/3 lit.)
ewc: screwed to floor.
'S' trap dist. 4" from wall.
matching polypropylene seat cover.

Premium wall mounted couple closet pg. 87

'P' trap available.
installation
cistern: dual flush (6/3 lit.)
ewc: fitting with cast iron chair brackets and G.I. rag bolt.
matching polypropylene seat cover.

Jazz basin with pedestal pg. 88

installation
 basin: Standard G.I. rag bolt.
 pedestal: screwed to floor.
 tap: 1 tap hole.

Epic basin with pedestal pg. 89

installation
 basin: standard 9" brackets and G.I. rag bolt.
 pedestal: screwed to floor.
 tap: 1 tap hole.

Sintra basin with pedestal pg. 89

installation
 basin: standard 5" brackets and G.I. rag bolt.
 pedestal: screwed to floor.
 tap: 1 tap hole.

Goldy platform basin pg. 94

installation
 basin: fixed to wall with standard 6" or 12" brackets and G.I. rag bolt.
 tap: 1 tap hole

Sleek platform basin pg. 94

installation
 basin: fixed to wall with standard 6" or 9" brackets and G.I. rag bolt or also use as counter top.
 tap: 1 tap hole.

Espace basin platform pg. 95

installation
 basin: fixed to wall with standard 6" or 9" brackets and G.I. rag bolt.
 tap: 1 tap hole

Lorale basin with pedestal pg. 90

installation
 basin: standard 6" or 9" brackets and G.I. rag bolt.
 pedestal: screwed to floor.
 tap: 1 tap hole.

Lorale basin with half pedestal pg. 90

installation
 basin: standard 6" or 9" brackets and G.I. rag bolt.
 pedestal: screwed to wall.
 tap: 1 tap hole.

Concord basin with pedestal pg. 90

installation
 basin: Standard G.I. rag bolt.
 pedestal: screwed to floor.
 tap: 1 tap hole.

Plazma counter top pg. 95

installation
 basin: counter top.
 tap: 1 tap hole.

Topaz basin tabletop pg. 96

installation
 basin: table top.
 tap: 1 tap hole.

Cuboid wall mounted basin pg. 96

installation
 basin: fixed to wall with standard 9" brackets and G.I. rag bolt or also use as table top.
 tap: 1 tap hole.

Oliver basin with pedestal pg. 91

installation
 basin: standard G.I. rag bolt.
 pedestal: screwed to floor.
 tap: 1 tap hole.

Crystal basin with pedestal pg. 91

installation
 basin: standard 6" brackets and G.I. rag bolt.
 pedestal: screwed to floor.
 tap: 1 tap hole.

Strapi basin with pedestal pg. 92

installation
 basin: standard 6" or 9" brackets and G.I. rag bolt.
 pedestal: screwed to floor.
 tap: 1 tap hole.

Fern basin tabletop pg. 97

installation
 basin: table top.
 tap: no tap hole.

Orbis basin tabletop pg. 98

installation
 basin: table top.
 tap: no tap hole.

Quadra table top pg. 98

installation
 basin: table top.
 tap: no tap hole.

Europa basin with pedestal pg. 92

installation
 basin: standard 6" brackets and G.I. rag bolt.
 pedestal: screwed to floor.
 tap: 1 tap hole.

Floral basin with pedestal pg. 92

installation
 basin: standard 6" or 8" brackets and G.I. rag bolt.
 pedestal: screwed to floor.
 tap: 1 tap hole.

Kubix concealed wall mounted basin pg. 93

installation
 basin: fixed to wall with standard 9" brackets and G.I. rag bolt.
 tap: 1 tap hole

Crusial table top pg. 99

installation
 basin: table top.
 tap: no tap hole.

Cube wall mounted basin pg. 99

installation
 basin: fixed to wall with standard 9" brackets and G.I. rag bolt or also use as table top.
 tap: 1 tap hole.

Clair basin tabletop pg. 100

installation
 basin: fixed to wall with standard 9" brackets and G.I. rag bolt or also use as table top.
 tap: 1 tap hole.

Safry table top pg. 100

installation
basin: fixed to wall with standard G.I. rag bolt or also use as table top. tap: 1 tap hole.

Exanza table top pg. 101

installation
basin: on exanza stand or also use as table top. stand: fixed to the wall with standard 6" brackets and G.I. rag bolt. tap: 1 tap hole.

Orio basin under counter pg. 102

installation
basin: under counter. tap: no tap hole.

Optra under counter pg. 103

installation
basin: under counter. tap: no tap hole.

Radius under counter pg. 103

installation
basin: under counter. tap: no tap hole.

Saffrony counter top pg. 103

installation
basin: counter top. tap: 1 tap hole.

Nigel wall mounted basin pg. 104

installation
basin: fixing to wall with standard 6" brackets and G.I. rag bolt. tap: 1 tap hole.

Ovalia basin with pedestal pg. 104

installation
basin: standard 6" brackets and G.I. rag bolt, also use as wallhung basin pedestal: screwed to floor. tap: 1 tap hole.

Sharp wall mounted basin pg. 105

installation
basin: fixing to wall with standard 6" brackets and G.I. rag bolt. tap: 1 tap hole.

Norris wall mounted basin pg. 105

installation
basin: fixing to wall with standard 6" brackets and G.I. rag bolt. tap: 1 tap hole.

Class wall mounted basin pg. 105

installation
basin: fixing to wall with standard 6" brackets and G.I. rag bolt. tap: 1 tap hole.

Noel wall mounted basin pg. 106

installation
basin: fixing to wall with standard 6" brackets and G.I. rag bolt. tap: 2 side semi punch.

Gramy wall mounted basin pg. 106

installation
basin: fixed to corner side wall with standard brass screw. tap: 1 tap hole.

Mint wall mounted basin pg. 106

installation
basin: fixed to wall with standard 5" brackets and brass screw. tap: 1 tap hole.

Pristy wall mounted basin pg. 107

installation
basin: fixed to wall with Standard G.I. rag bolt. and also use as table top tap: 1 tap hole.

Trenz wall mounted basin pg. 107

installation
basin: fixed to corner side wall with standard G.I. rag bolt. tap: 1 tap hole.

Splash wall mounted basin pg. 107

installation
basin: fixed to wall with standard 6" brackets and G.I. rag bolt. tap: 1 tap hole.

Terra one piece closet pg. 108

installation
cistern: dual flush (6/3 lit.) ewc: screwed to floor. 'S' trap dist 12" from wall. matching polypropylene Hydraulic seat cover.

Palestine one piece closet pg. 06

installation
'S' or 'P' trap available. cistern: dual flush (6/3 lit.) ewc: screwed to floor. 'S' trap dist. 9" from wall. 'P' trap dist. 7" from floor. matching polypropylene Hydraulic seat cover.

Victoria one piece closet pg. 06

installation
'S' or 'P' trap available. cistern: dual flush (6/3 lit.) ewc: screwed to floor. 'S' trap dist 9" or 11.5" from wall. 'P' trap dist 7" from floor. matching polypropylene Hydraulic seat cover.

Neon one piece closet pg. 06

installation
'S' or 'P' trap available. cistern: dual flush (6/3 lit.) ewc: screwed to floor. 'S' trap dist. 9" or 12" from wall. 'P' trap dist. 7.5" from floor. matching polypropylene Hydraulic seat cover.

Libia one piece closet pg. 06

installation
'S' or 'P' trap available. cistern: dual flush (6/3 lit.) ewc: screwed to floor. 'S' trap dist. 9" from wall. 'P' trap dist. 7" from floor. matching polypropylene Hydraulic seat cover.

Natalia one piece closet pg. 06

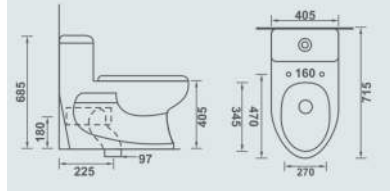
installation
'S' trap available. cistern: dual flush (6/3 lit.) ewc: screwed to floor. 'S' trap dist. 12" from wall. matching polypropylene Hydraulic seat cover.

Spania one piece closet pg. 06

installation
'S' trap available. cistern: dual flush (6/3 lit.) ewc: screwed to floor. 'S' trap dist 9" or 12" from wall. matching polypropylene Hydraulic seat cover.

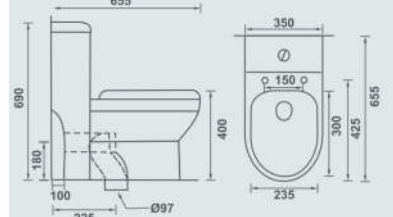
Eva one piece closet pg. 109

'P' or 'S' trap available.
installation
cistern: dual flush (6/3 lit.)
ewc: screwed to floor.
S trap dist. 9" from wall
P trap dist. 7" from floor
matching polypropylene
Hydraulic seat cover.



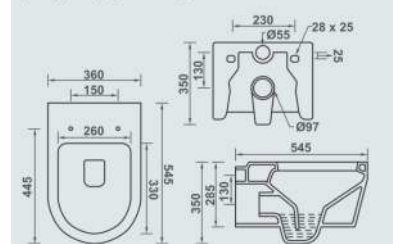
Clair one piece closet pg. 109

'S' or 'P' available.
installation
cistern: dual flush (6/3 lit.)
ewc: screwed to floor.
'S' trap dist. 4" & 9" from wall
'P' trap dist. 7" from floor
matching polypropylene
Hydraulic seat cover.



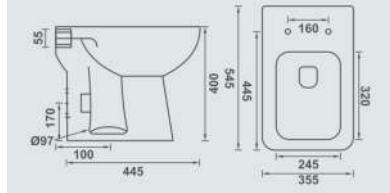
Meridian concealed wallhung pg. 110

'P' trap available.
installation
ewc: fitting with cast iron
chair brackets &
G.I. rag bolt. matching
polypropylene Hydraulic seat cover.



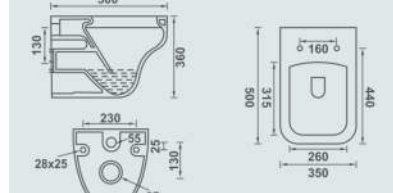
Beetle EWC pg. 111

'P' or 'S' trap available.
installation
ewc: screwed to floor.
'S' trap dist. 4" from wall.
'P' trap dist. 7" from floor.
matching polypropylene
Hydraulic seat cover.



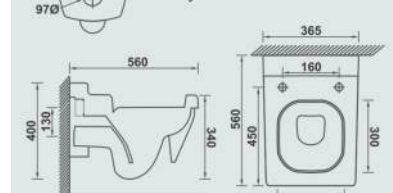
Mini Beetle concealed wallhung pg. 111

'P' trap available.
installation
ewc: fitting with cast iron
chair brackets and G.I.
rag bolt.
matching polypropylene
Hydraulic seat cover.



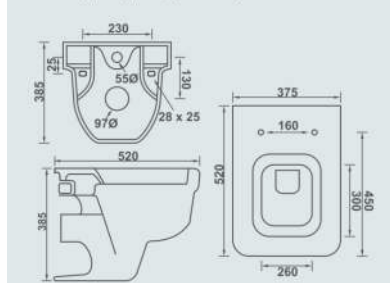
Candida concealed wallhung pg. 112

'P' trap available.
installation
ewc: fitting with cast iron
chair brackets and
G.I. rag bolt.
matching polypropylene
Hydraulic seat cover.



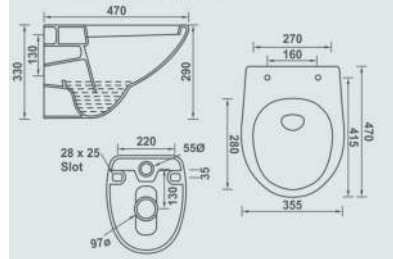
Enigma concealed wallhung pg. 112

'P' trap available.
installation
ewc: fitting with cast iron
chair brackets & G.I. rag bolt.
matching polypropylene Hydraulic seat cover.



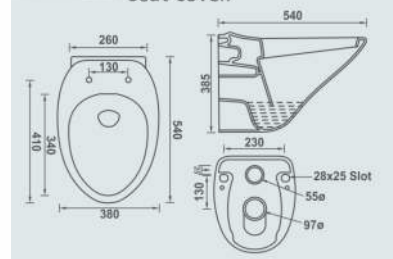
Simi concealed wallhung pg. 112

'P' trap available.
installation
ewc: fitting with cast iron
chair brackets and G.I. rag bolt.
matching polypropylene
seat cover.



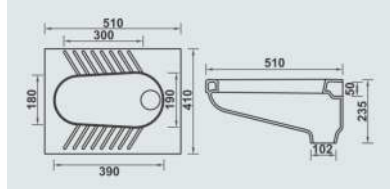
Prima concealed wallhung pg. 112

'P' trap available.
installation
ewc: fitting with cast iron
chair brackets and G.I. rag bolt.
matching polypropylene
seat cover.



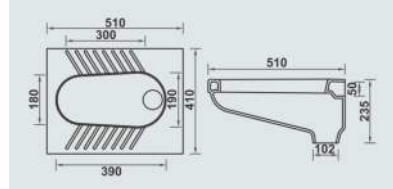
CT pan 20" pg. 113

installation
fixing: open rim, with
integral foot treads,
suitable for use with high
level cistern & sinking
into floor.



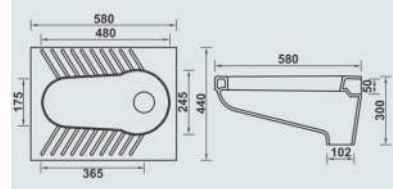
Comfort pan 20" pg. 113

installation
fixing: open rim, with
integral foot treads,
suitable for use with high
level cistern & sinking
into floor.



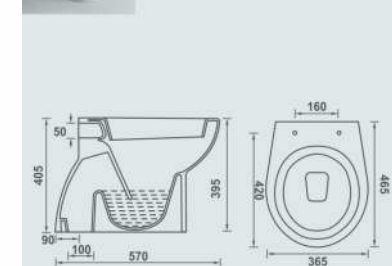
Comfort pan 23" pg. 113

installation
fixing: open rim, with
integral foot treads,
suitable for use with high
level cistern & sinking
into floor.



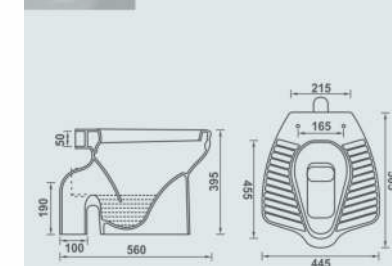
Ozone concealed EWC pg. 115

'S' trap available.
installation
ewc: screwed to floor.
matching polypropylene
seat cover.



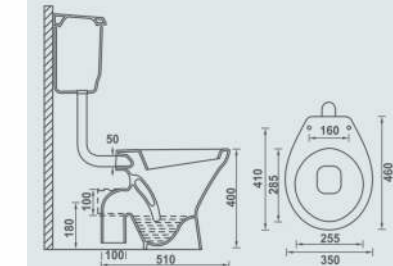
Anglo WC pg. 115

'P' or 'S' trap available.
installation
ewc: screwed to floor.
matching polypropylene
seat cover.



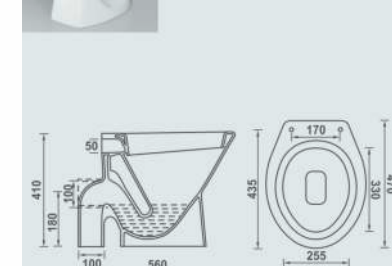
Europie EWC pg. 115

'P' or 'S' trap available.
installation
ewc: screwed to floor.
matching polypropylene
seat cover.



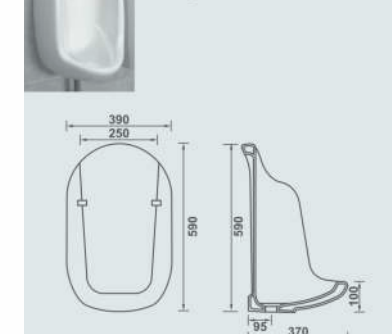
Premium EWC pg. 115

'P' or 'S' trap available.
installation
ewc: screwed to floor.
matching polypropylene
seat cover.



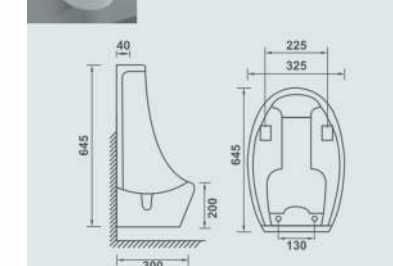
Alfa half stall urinal pg. 118

installation
fixing: with 'Z' brackets



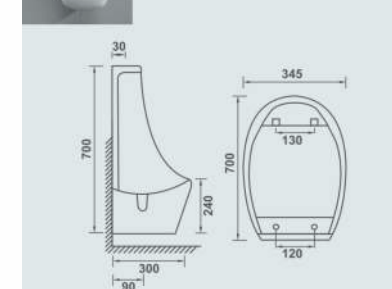
Evan flat back urinal pg. 118

installation
fixing: with 'Z'
bracket & brass screwed
to the wall.



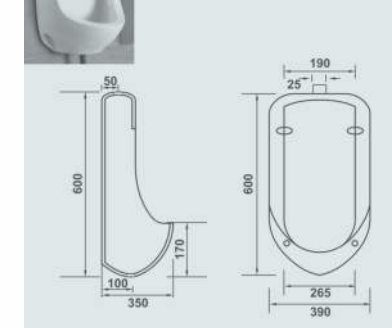
Elias flat back urinal pg. 118

installation
fixing: with 'Z'
bracket & brass screwed
to the wall.



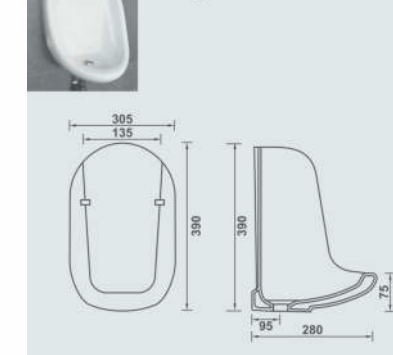
Sindy half stall urinal pg. 119

installation
fixing: with 'Z' brackets and
brass screwed to the wall.



Comfort urinal pg. 119

installation
fixing: with 'Z' brackets



TRAP DISTANCE

CATEGORY	PRODUCT NAME	"S" TRAP WALL DISTANCE		"P" TRAP WALL DISTANCE	
		mm	inch	mm	inch
FLOOR MOUNTED COUPLE CLOSET	ITALIA*	225±10	9"	200±10	8"
	ITALIA*	100±10	4"	200±10	8"
	PREMIUM	100±10	4"	NA	-
CLOSET	BEETLE	100±10	4"	170±10	7"
	OZONE	90±10	4"	NA	-
	ANGLO	300±10	12"	180±10	7"
	EUROPIE	300±10	12"	180±10	7"
	PREMIUM	300±10	12"	NA	-
	FLUID	90±10	4"	NA	-

CATEGORY	PRODUCT NAME	DIFFERENCE B/W INLET & OUTLET	RAG-BOLT DISTANCE	P-TRAP HEIGHT
CONCEALED WALLHUNG	MINI BEETLE	130	230	220
	BETTLE	130	230	220
	AMAZONE	130	230	240
	MINI AMAZONE	130	230	230
	VERO	130	230	220
	PRIMA	130	230	210
	SIMI	130	220	240
	MERIDIAN	130	230	240
	FOURSQUARE	130	230	210
	MINI FOURSQUARE	130	230	210
	ENIGMA	130	230	215
	CANDIDA	130	230	245
	REVO	130	230	210
	LUMINA	130	230	230
	AVIVA	140	230	225
	SELGE	130	180	215
	MILANO	130	230	210
	MINI	130	230	225
	PANDORA	130	230	220
	RIVERSTOE	130	230	210
SANITEE	130	230	205	
SANTEC	130	230	230	
SANCTUM	135	230	210	
STILO	130	230	220	

CATEGORY	PRODUCT NAME	DIFFERENCE B/W RAG-BOLT & OUTLET	RAG-BOLT DISTANCE	P-TRAP HEIGHT
WALL MOUNTED COUPLE CLOSET	LUMINA	80	260	230
	BEETLE	145	260	175
	PREMIUM	180	230	140

* With Conversion band NA - Not Applicable

1. Wall distance means the distance from finished wall till the centre of the 's' trap of the WC.
2. Floor height means the height from the finished floor till the centre of the 'p' trap of the WC.
3. All dimensions are approximate and are subject to change without notice.

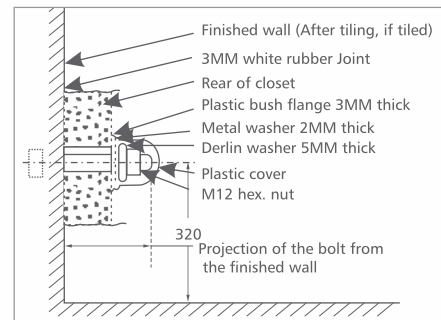
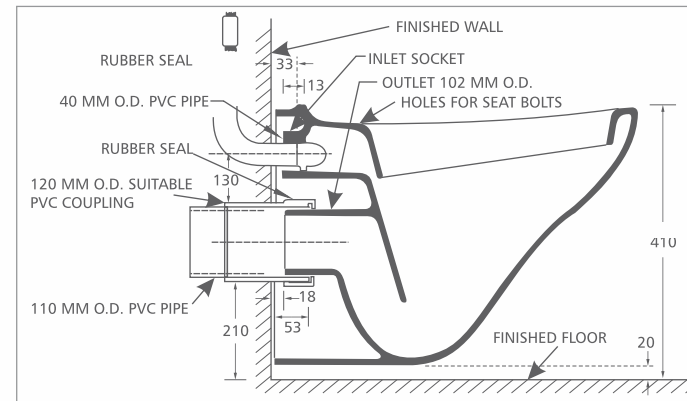
TROUBLE SHOOTING GUIDE

ITEM	PROBLEM	PROBABLE REASONS	CORRECTIVE ACTIONS
Wash Basins	1. Water deposit on tap platform and inside bowl	1. Wash Basin is not fixed in level, Bracket not leveled	1. Bracket should be corrected
	2. Overflow choked & foul smell	2. Waste coupling used may be full threaded	2. Waste coupling should be changed to slot cut coupling
EWCs/ Indian Pan	1. Water not coming in bowl area	1. Flush bend may be inserted up to the end of inlet hole	1. Insert the flush pipe only up to the locking portion of the inlet
		2. Flush pipe end may be padded with cloth, etc	2. Flush pipe should be used with rubber adapter
		3. Closet / Pan may not be leveled	3. Closet/Pan should be leveled
Premium Floor Mounted / Wall Mounted WCs	1. Water leaking between cistern and closet	1. Diverter pipe not fixed in outlet of cistern	1. Insert the diverter pipe into the outlet of the cistern
	2. Uneven flow of water from both sides	2. Both arms of the diverter pipe not inserted equally in both sides of the closet	2. Both arms should be properly inserted inside both sides of the closet
Twin-flush WCs	1. Push rod short and not working	1. Rubber step washer may be fixed outside the cistern reducing the height of the outflow valve	1. Rubber step washer should be used in the outlet of outflow valve from inside the cistern
Coupled Closets	1. Water leaking between the cistern and the closet during flushing	1. Rubber ring gasket may not fixed or not fixed properly	1. Rubber ring should be kept in the center between the outlet of the cistern and the inlet of the closet at correct position
	2. Water quantity insufficient for effective flushing	2. Float ball height adjusted to lower quantity of water discharge	2. Turn the adjusting screw provided on the top of the inlet in clock wise direction to increase the discharge level. (Caution: The water level may be increased till the water from the inlet shuts off at the 'top-line' mark provided on the floating body)
Cisterns	1. Water overflowing continuously from the cistern	1. Inlet valve may not be closing properly	1. Inlet valve should be opened to clean the rubber diaphragm. See that the diaphragm is not punctured
		2. Water leaking from outlet of the cistern continuously	2a. Outflow valve may not be closing properly
		2b. Valve ring may not be fixed properly to the bottom of the floating body	2b. Fix the valve ring to the top of the groove provided in the floating body. Ensure that the valve ring sits securely around the groove
		2c. Valve ring may have cracked or become worn out	2c. Replace the valve ring
	2d. Cistern not fully tightened to the closet	2d. Tighten tank holding screws evenly till they cannot be tightened further with one hand	

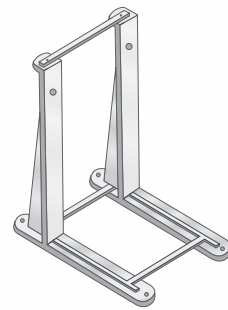
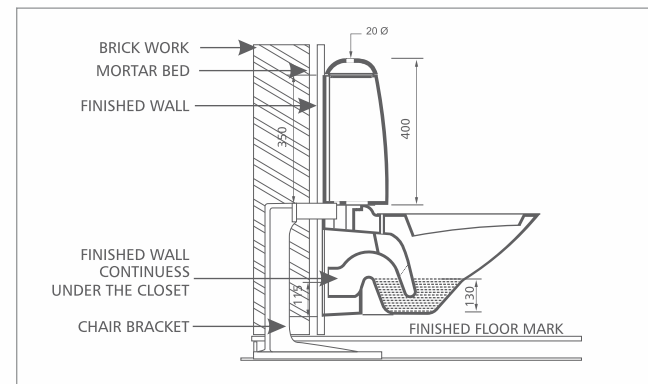
INSTALLATION & INSTRUCTIONS

CONCEALED WALLHUNG

1. If the wall is going to be plastered for a thickness of 12 mm and a tile thickness of 6-7 mm, the projection of the bolts from the finished wall should be 66 mm only.
2. If the thickness of plastering and tile is less than the dimensions mentioned above, the bolts that are supplied along with the bracket should be moved into the wall by using a suitable spacer washer between the bolt head and the bracket frame.
3. The bracket should be buried into the floor so that the height from the center line of the bolt to the surface of the finished floor is 320mm.

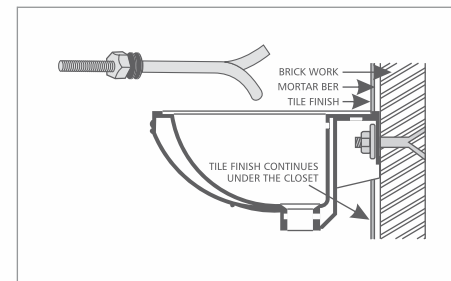


WALL MOUNTED COUPLE CLOSET (Premium & Italia)



WALL HUNG BASIN

- 1) The rag bolt should be first grouted into the wall using cement / concrete, (as shown) as per distance between slots provided in the wash basin. The bolts should be fixed perpendicular to the wall. Allow cement / concrete to set. Check if the Rag bolts are firmly fixed. Fix the Wash Basin in the bolt using Nut & Washer. (2) If brackets are use prefer nylon or aluminum instead of iron brackets as it tends to rust. (3) If small basins are screwed to wall, use nylon washers and steel screws. (4) While fixing waste outlet, ensure that the rubber washer is placed on the outlet under the basin.



TIPS FOR MAINTENANCE

- The sanitarywares from Soncera have a smooth, impermeable and practically scratch-resistant surface, which is resistant to most of the acids and alkalis commonly encountered in the home.
- For daily care, you will usually only need water and a damp cloth. Tidemarks, grease and soap residues can be removed quickly and easily with a vinegar-based or bathroom cleaner.
- Like any other part of your house, the bathroom can be made to look great and made to last if it is taken care of regularly. Here are some simple tips that can help you keep your bathroom glittering and fresh everyday.

Wash Basins

The wash basin needs to be washed with a mild detergent at least once a day. After washing, the basin must be wiped with a dry cloth to avoid water stains, especially on dark colours. Wash basins not cleaned for along time can accumulate stains. To remove the stains, diluted hydrochloric acid may be used.

Closets

Use a plastic bristled brush with a plastic handle to scrub the toilet with a cleanser, at least once a day. After flushing the toilet, give it a "once over" with the brush to avoid minute discoloring.

In the case of closets, if there has been no maintenance over a long period of time, water deposits and discoloration are formed on the surface of areas that get wet. In such cases, these stains / marks can be removed with the help of a solution of diluted hydrochloric acid. Do not use powder paste, thinner or dry cleaning liquids. To remove fine scratches, use Brasso or car rubbing compound and then polish with a polish cloth.

Internal Fittings of Cisterns

Accumulation of dust / small piece stones/sand coming through pipeline in the water on inlet and outlet rubber diaphragms may result in leakage of water. In case of such malfunctioning, all you have to do is open the inlet/outlet valve and clean the diaphragms or replace them. Use only genuine spare parts.

AVAILABLE COLORS



Star White



Off White

Note: Colours printed above may differ from original colours of ceramics. For true selection; refer to actual samples or shade board.

Continuous innovation and improvement in manufacturing techniques and products are carried out regularly. We reserve the right to supply articles which may not correspond exactly with the particulars given in this booklet.

Technical Details - Dimensions:

When ordering product from this brochure, please advice your plumber of the correct sizing to ensure the accurate installation.